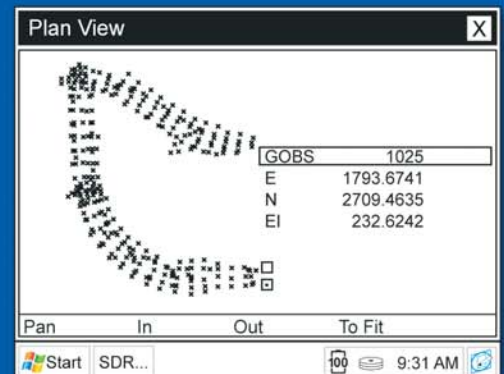


Built on knowledge from surveyors and previous generations of SDR electronic fieldbooks, the SDR Level 5 CE workflow is assembled to follow a logical field collection process. Provided in one single package, SDR's full functionality increases your productivity by offering topographic surveying, stake out, roading and coordinate geometry (COGO). Save time with the ability to switch between GPS and Terrestrial sensors, and ensure quality of the reading as you check the coverage of collected points using a graphical view.

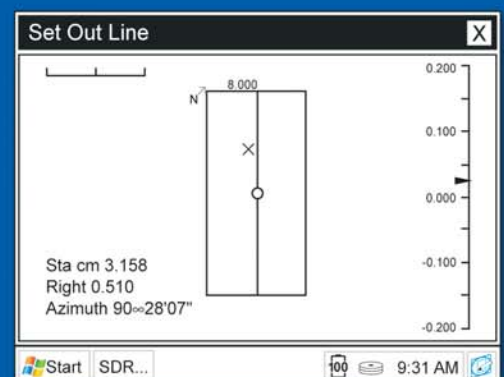
SDR Level 5 Features

- Full functionality in one package enables you to finish your job quickly
- Handles a large range of GPS and Terrestrial sensors
- Runs on multiple platforms, including Allegro CX™, JETT•ce®, Pocket PC PDAs and many others
- Map vertical heights with a supplied GEOID file or an inclined plane
- Complete any type of surveying, including solar observation
- Access existing jobs, browse for other jobs, or create a new job simultaneously without using a file browser
- Utilize customizable feature code lists with point-sorting capabilities
- Automatic generation of linework
- Ability to export data by a serial port, IRDA connection, modem connection or pre-existing file
- Customize point code IDs with a range from numeric to alphanumeric
- Handle data in many forms, including horizontal; horizontal and vertical; and horizontal, vertical and X-slope; using COGO or Roding modes
- Export data to industry standard formats such as Delimited Text, SDR, ICS, MOSS and SDMS.



Cd	ss
Pt	1003
Ant ht	5.56
H.obs	255°45'23"
V.obs	90°25'41"
S.Distance	1564.250
3DRMS (m)	0.015

Ofs Cnfg



SDR Level 5 Specifications

Minimum Hardware Specifications

Operating System	Microsoft® Windows® CE 3.0 / Pocket PC 2000
Processor	StrongARM, XScale or MIPS16
Port	1 x RS232
Display	240 x 320 resolution

Recommended Hardware Specifications

Operating System	Microsoft® Windows® CE 4.2 / Windows® Mobile Pocket PC 2003
Processor	XScale
Storage	Internal Flash or Compact Flash
Ports	2 x RS232
Display	240 X 320 resolution

Compatible Data Collectors

Pocket PC PDAs, Allegro CX™, JETT•ce®, DAP Microflex CE5320, SDR8100

Dealer Information

SOKKIA GPS Worldwide

OCEANIA	+61-2-4925-7730 pointaustralia@bigpond.com
CHINA	+86-21-63541844 www.sokkia.com.cn
EUROPE	+31-36-5322880 www.sokkia.net
JAPAN	+81-46-248-7984 www.sokkia.co.jp
KOREA	+82-2-514-0491 www.sokkia.co.kr
LATIN AMERICA	+1-305-599-4701 www.sokkialatinamerica.com
NORTH AMERICA	+1-913-928-2787 www.sokkia.com
SINGAPORE	+65-6479-3966 www.sokkia.com.sg